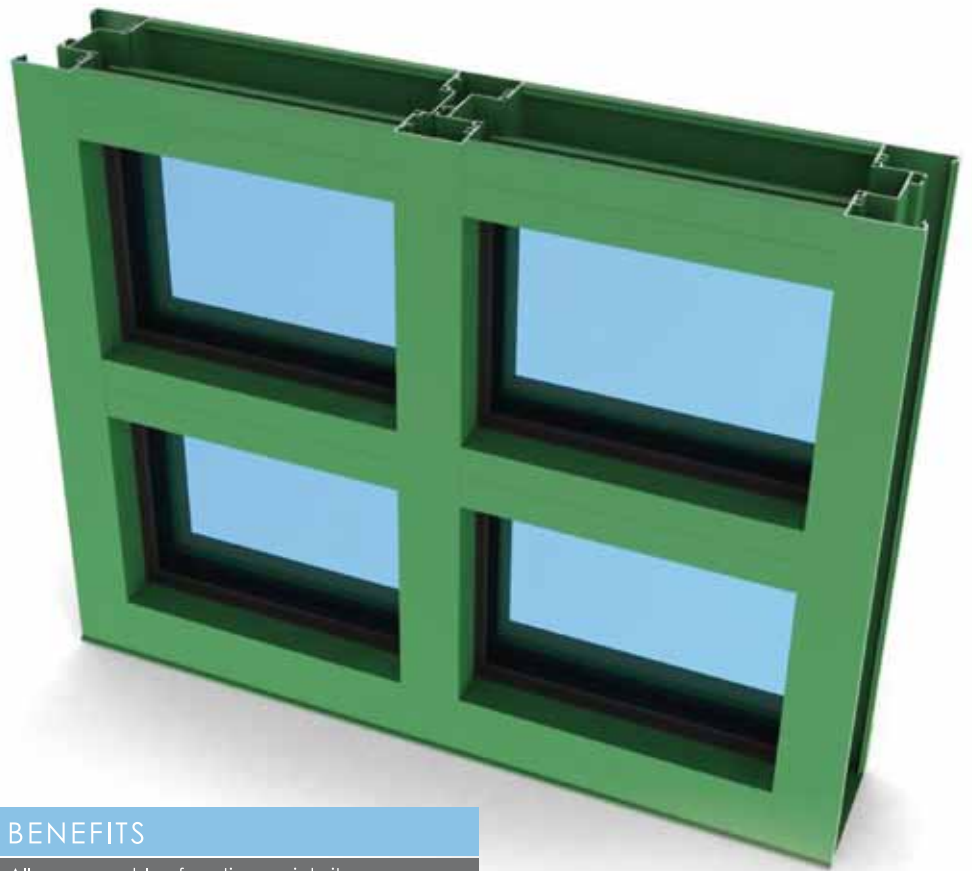


Storefront System
ES 4520

ES 4520

Storefront System
ES 4520

ES 4520 Storefront System, center glazed, available for screw spline or shear block fabrication; and it can be inside or outside glazed. The standard system accommodates 1" insulating glass, the system dimensions are 2" x 4 1/2" and it incorporates enhanced water protection features. Thermal performance is achieved by the use of pour and debridged polyurethane system.



SYSTEM DESCRIPTION:

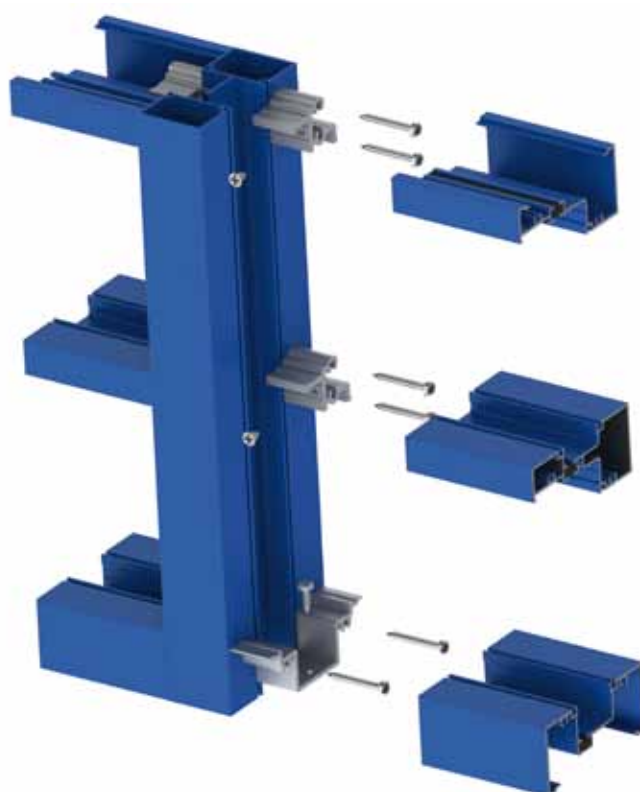
- Outside or inside glazed
- Single span applications.
- Flush glazed, glass in center
- 2" sight line, 4 1/2" deep
- Designed for 1" infill insulating glass.

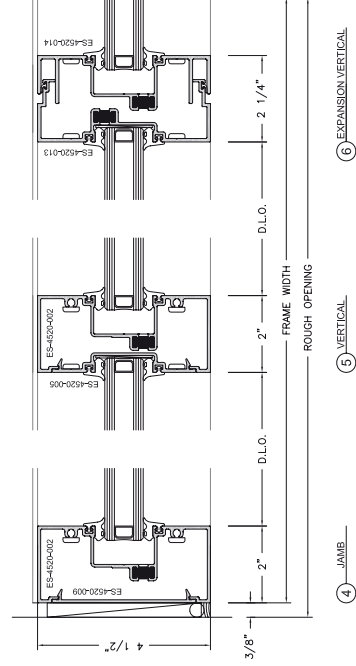
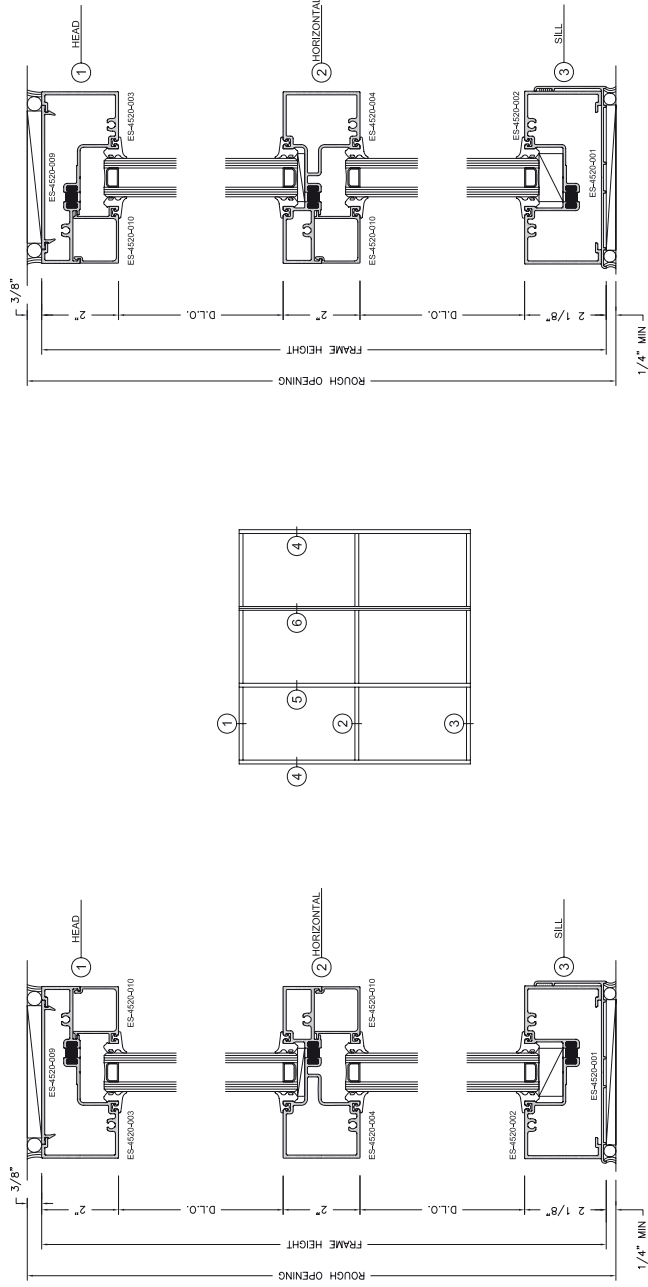
FEATURES	BENEFITS
▪ Screw Spline or Shear Block Assembly	▪ Allows assembly of section on jobsite or prior to installation time.
▪ Concealed Fasteners	▪ Clears up aesthetics concerns
▪ Uniform glazing gasket is used for exterior and interior	▪ Allows optimized used of gasket Simplifies ordering and installation
▪ Thermal and non Thermal option	▪ Enhanced Thermal performance
▪ High Sill Flashing	▪ Enhanced water performance
▪ Integrated entrance doors and popular corner options	▪ Design Flexibility
▪ Anodized or painted finishes available	▪ Versatility of design.

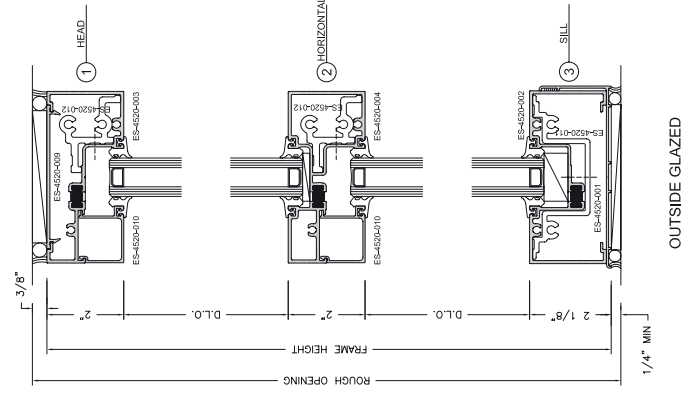
Screw Spline



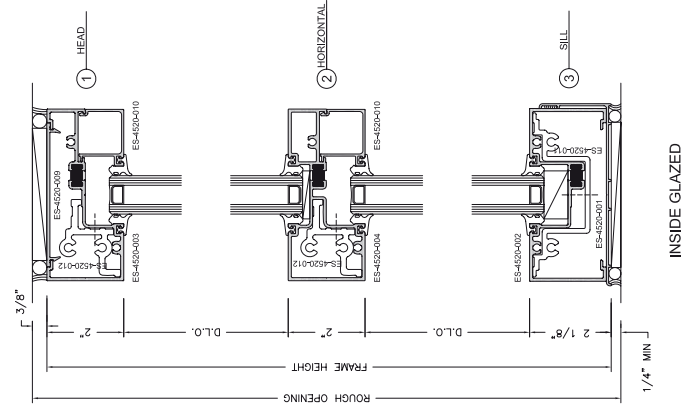
Shear Blocks



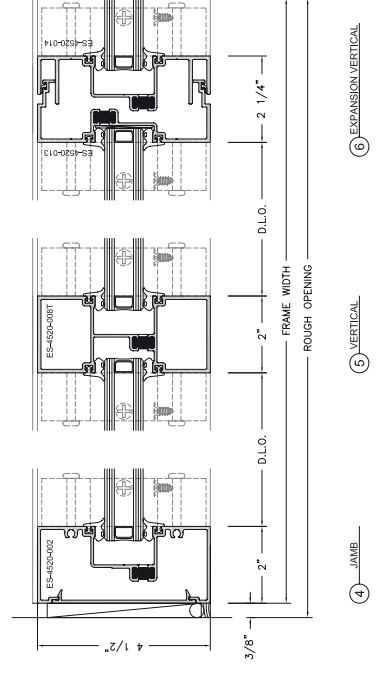
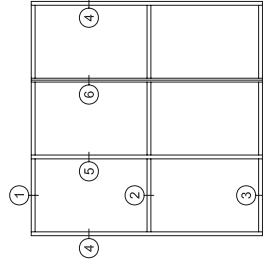




OUTSIDE GLAZED



INSIDE GLAZED



- ④ JAMB
- ⑤ VERTICAL
- ⑥ EXPANSION VERTICAL

Storefront System ES 4520

